

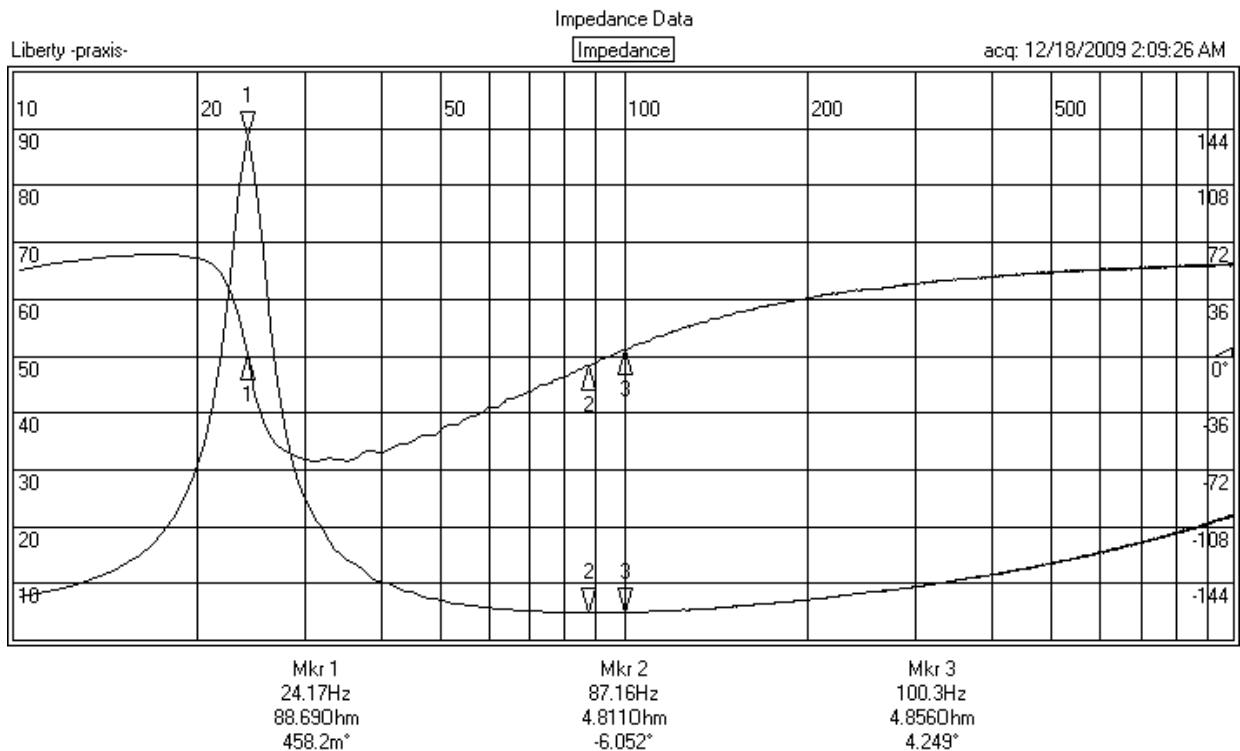


Epic 8" Low Frequency Driver

Thiele Small & Driver Parameters

Parameter	8" Epic	Description
Qts	0.29	Total Q
Qes	0.31	Electrical Q
Qms	7	Mechanical Q
Fs	28	Hertz, Free Air Resonance
Res	3.78	Ohms, DC resistance
Ls	3.3	H, series inductance
Lp	2.9	H, lossy series inductance
Rp	4.1	Ohms, loss across Lp
Dia	146	m meters, effective
Vas	12	liters, air volume equivalent
mms	108	grams, effective mass
cms	301	um/N, compliance
bl	15.2	T*m, motor strength
SplSens	81.2	dB SPL max @1W absorbed

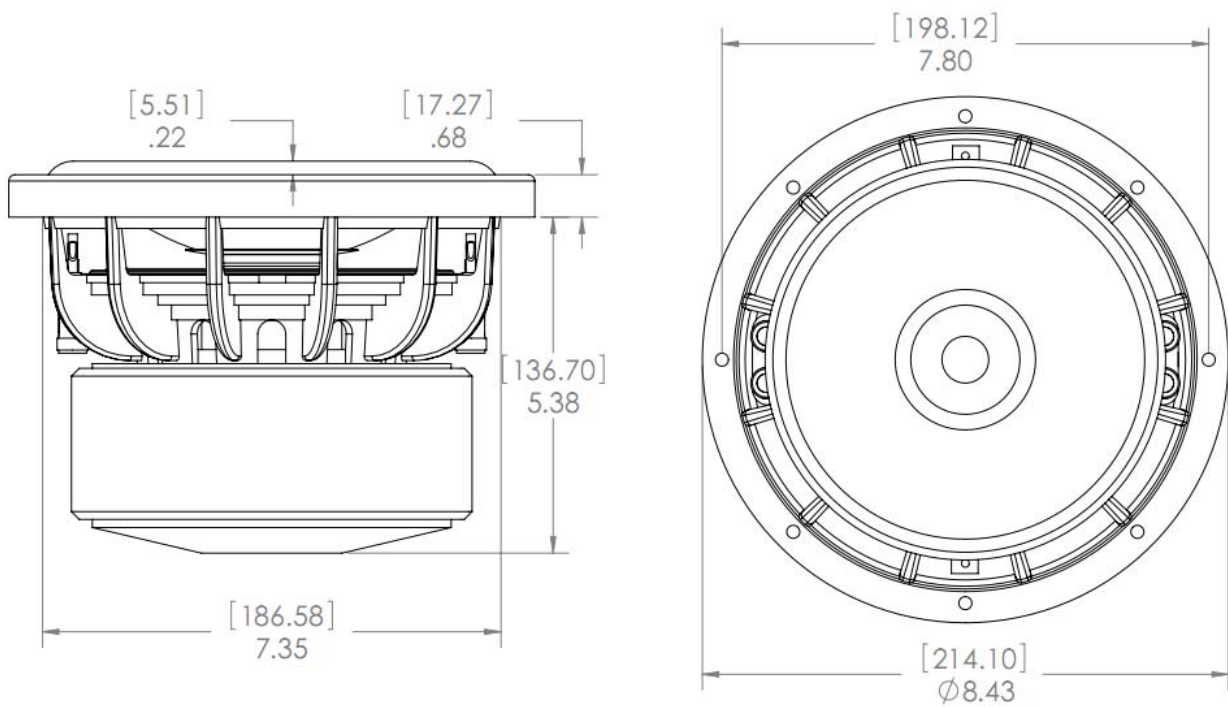
Parameter	8" Epic	Description
Geometric Stroke	18.1	Millimeters, (voice coil - gap) / 2
70% BL	22.9	Millimeters, BL is 0.7 original value (one way)
Xmech	32.7	Mechanical displacement limit (one way)
Long Term Power	500	Watts
Program Power	2000	Watts, short term peak power limit



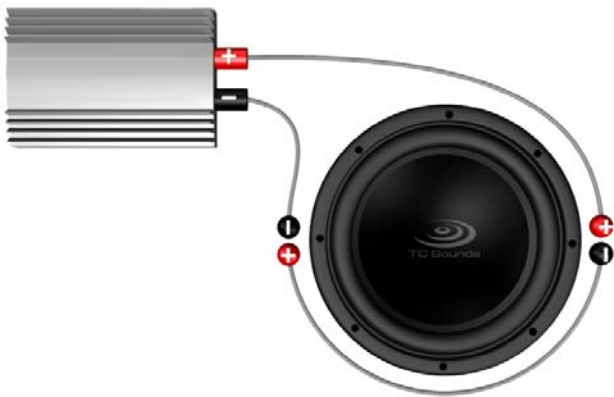
*Impedance and TS parameters measured with the coil in series.

*For full system alignment and enclosure recommendations, please visit our website: www.tcsounds.com

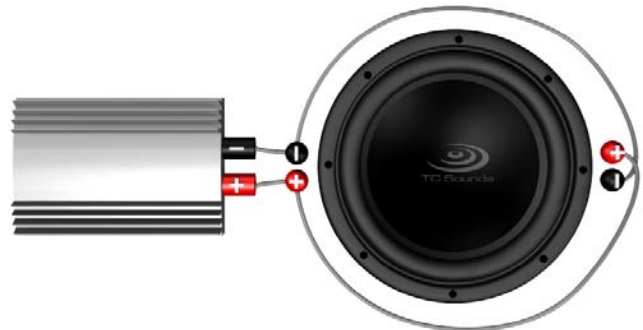
Installation Dimensions



Wire Configurations



Dual voice coil - Series: $2\Omega + 2\Omega = 4\Omega$



Dual voice coil - Parallel: $2\Omega || 2\Omega = 1\Omega$